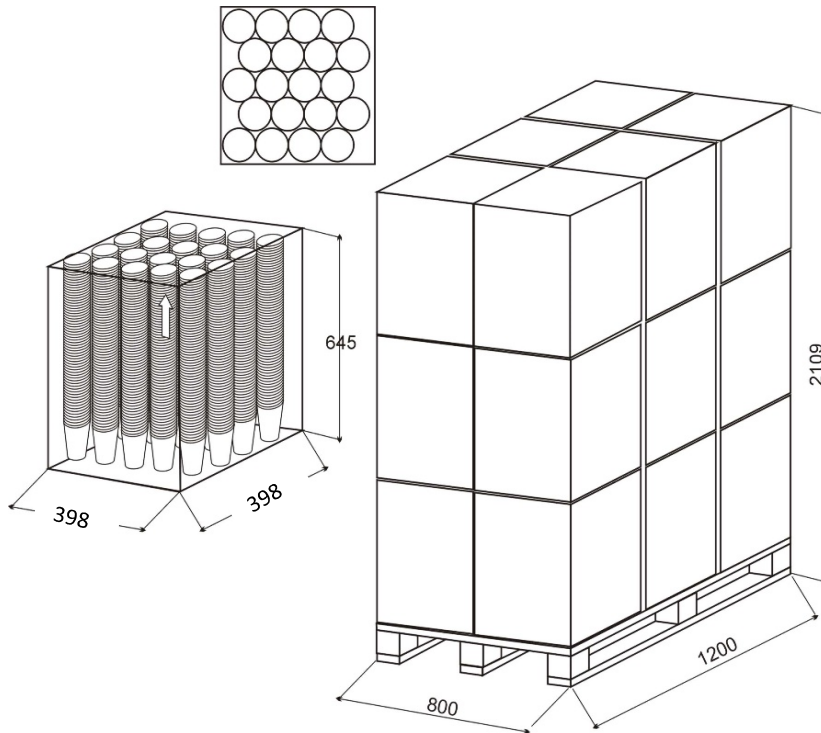
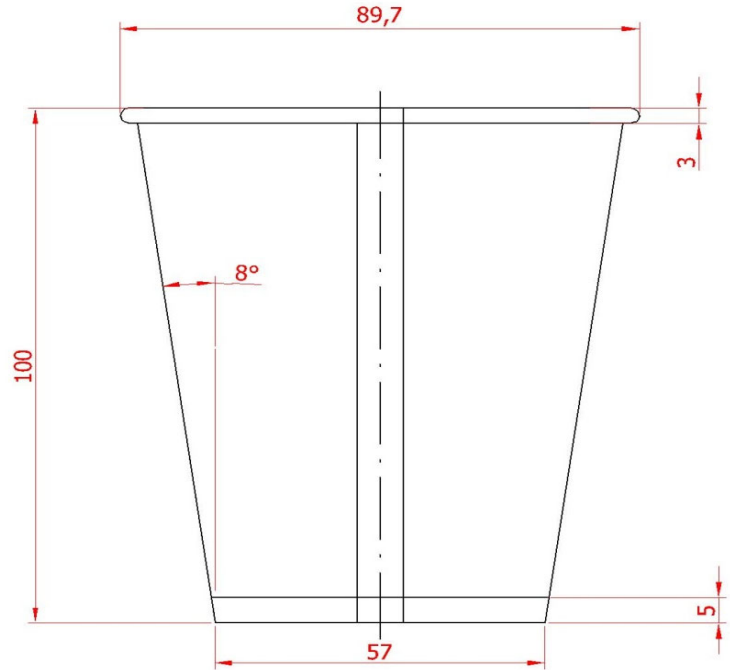


PRODUCT	Paper cup	CGRBA3656 WHIZZ MID 0,3 FL V2; CGRBA4646 I AM READY MID
MATERIAL - wall	PAP 2 PE	
MATERIAL - bottom	PAP 1 PE	
CUP PROPERTIES:		
Weight [g]	6,5+/-0,3	
Height [mm]	100+/-0,38	
Overall diameter [mm]	89,7+/-0,25	
rim thickness [mm]	3,0 +/-0,25	
Stacking hight [mm]	5	
100pcs stack height [mm]	595 +/-10	
fill/brimful volume /ml/	300/380	
Units per stack	100	
Stacks in case	20	
Units/Case	2000	
Cases/Layer	6	
Layers/Pallet	3	
Units/Pallets	36 000	
Case Gross Weight /kg/	14,1	
Case Size ID /mm/	398/398/645	
Gross Pallet Height /mm/	2109	
Gross Pallet Weight /kg/	280	
Pallet size /mm/	1200x800x150	



Prepared by: D. Milczarska; 18.11.2019